



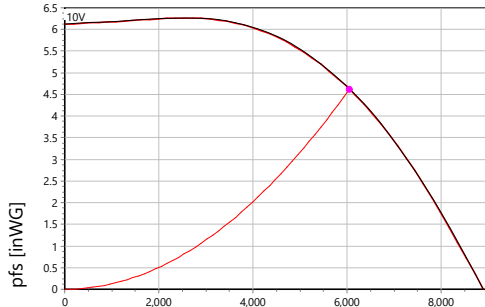
Plug Fan

Type: **GKHM 500-CEB.160.6NA IE**

Art.-No.: N88-50362



**Curve:**



qv [cfm]

Density: 1.2 kg/m³

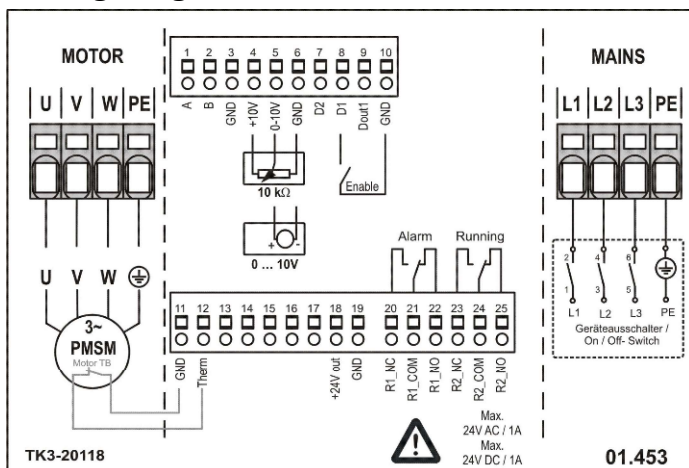
**Technical Data:**

U [V]	f [Hz]	P <sub>e</sub> [kW]	I <sub>N</sub> [A]	n <sub>N</sub> [1/min]	C [μF]	t <sub>r</sub> [°C]	k <sub>10</sub> [m²s/h]	I <sub>A</sub> / I <sub>N</sub>	IP	m [kg]
3~380-480	50/60	5.5	8.4	2000	-	40	198	-	IP 54	57

**Sound:**

		Σ	125Hz	250Hz	500Hz	1KHz	2KHz	4KHz	8KHz
LwA5 [dB(A)]	Inlet	88	71	80	83	81	80	78	72
LwA6 [dB(A)]	Outlet	92	81	84	85	87	83	77	72
LwA8 [dB(A)]	Outlet	95	84	87	88	90	86	80	75

**Wiring Diagram:**



**Drawing:**

